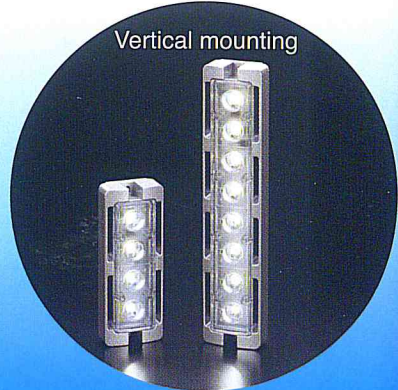


CLF

LED Light Bar



LED



IP67

- High power 1,700lx illumination* for precise work operation.
- Water and dustproof IP67 construction.
- Steady Light Source.
- The light emitted from the unit does not contain infrared or UV rays, which radiate heat and damage materials.
- Stable operation from -30°C to +60°C.

* Luminous intensity at 50cm (CLF20-24-C)

Specifications of red color type and yellow color type may be different from those of white color type



Clear/White

Machine tool, control panel applications



Warm White

Inspection test equipment



Red

Semiconductor manufacturing machinery, tester, etc.

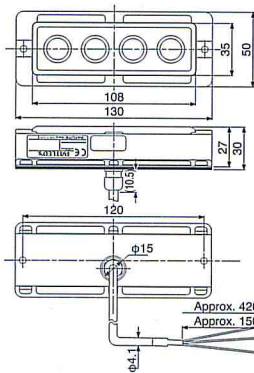


Yellow

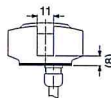
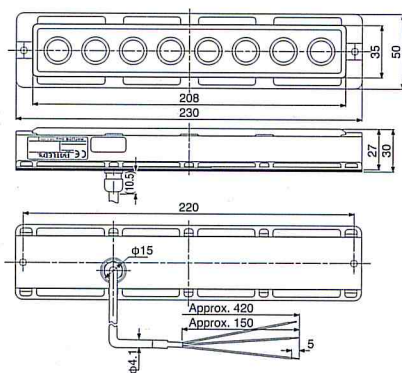
Semiconductor manufacturing machinery, cleanroom environment, etc.

Dimensions

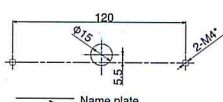
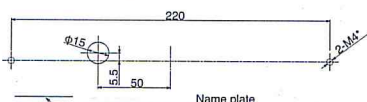
CLF10-24



CLF20-24



Mounting dimensions



* When mounting with supplied nuts : φ4.5

(Unit : mm)

CLF Type

Model	CLF10-24				CLF20-24			
	C	CL	R	Y	C	CL	R	Y
LED Color	C	CL	R	Y	C	CL	R	Y
Rated Voltage	24V DC (No polarity)							
Operating Voltage Range	Rated voltage ±10%							
Power Consumption	2.5W				5W			
Light Source	High intensity LEDx4				High intensity LEDx8			
Luminous Intensity at Optical Center (lx at 50cm)	850	240	320	1,700	470	630		
Main Body	Housing: Aluminum Cover: Polycarbonate							
Operating Temperature Range	-30°C ~ +60°C (No condensation 90% RH or less)							
Installation	Indoor, Forward Direction							
Protection Rating	IP67							
Vibration Resistance	19.6m/s ²							
Mass	205g±10g				345g±10g			